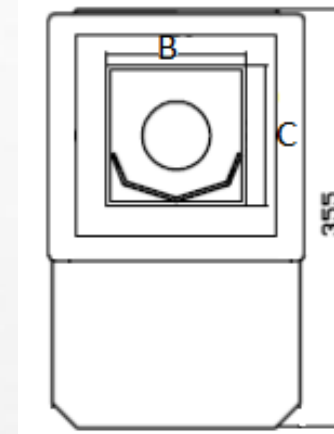
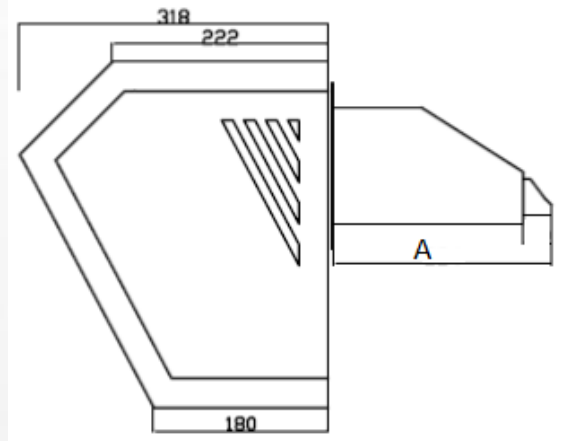


# **BADO**

**XL PELLET BURNERS**



Model	80	100	150
Nominal output (kW)	80	100	150
Efficiency	>90%		
Fuel	wooden pellets 6mm		
Electric input	230 V 50 Hz		
A (mm)	250	340	390
B (mm)	180	180	212
C (mm)	180	180	212
Minimum installation hole	200x200	200x200	220x220



#### CONTROL OF BOILER OPERATION

- FUEL FEEDING
- COMBUSTION AIR

#### CONTROL

- CH PUMP
- DHW PUMP
- ADDITIONAL PUMP
- MIXER
- BUFFER (2 SENSORS)

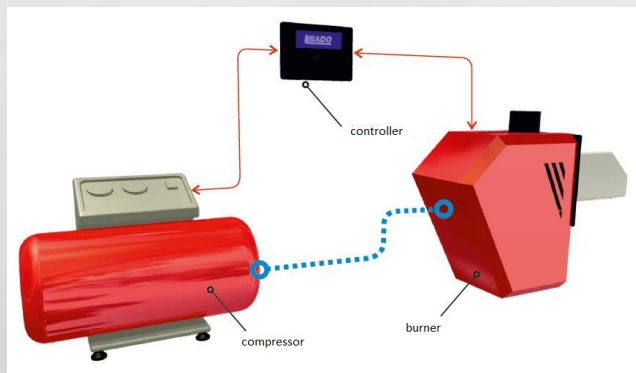
#### WEATHER SENSOR READY

#### PID READY

#### AC SYSTEM SUPPORT

#### ADDITIONAL MODULES

- MIXING CIRCUIT MODULE (OPTIONAL, UP TO 2)
- GSM MODULE
- INTERNET MODULE
- ROOM THERMOSTAT
  - DATA COMMUNICATION RS OR TRADITIONAL
  - ON/OFF



**BADO, 1-GO MAJA 19, 43-300 BIELSKO-BIAŁA, POLAND**